

SII 

Network
Components
Business Unit

Quartz Crystals Product Catalogue



2002-2003

CMOS IC

Quartz Crystals

Micro Batteries

Materials

Liquid Crystal Display

Custom LCD Module

Seiko Instruments Inc.



Contents

[Quartz Crystal Units]

Quartz Crystal Unit Handling Precautions	3
Oscillation Circuit Design Precautions	5
Packing	6
SCA-132 Small SMD Type High Frequency Quartz Crystal Unit	8
NC-T3 Surface Mount Type for Low Frequency	9
HFC-150 Surface Mount Type for Low Frequency	10
SSP-T series Surface Mount Quartz Crystal Units for Low Frequencies	11
SP-T series Surface Mount Quartz Crystal Units for Low Frequencies	13
HTF-VT/VTC series Surface Mount Quartz Crystal Units for Low Frequencies	16
VT series Quartz Crystal Units for Watches	17
VTC series Quartz Crystal Units for Low Frequencies	18
SII GROUP ENVIRONMENTAL POLICY	19
Check List for Quartz Crystal Unit Selection	20

Quartz Crystal Unit Handling Precautions

1. Mounting Precautions

1.1 Lead Type Crystal Units

1.1.1. Structure

Tubular crystal units (VT, VTC) are hermetically sealed using glass (see Figures 1 and 2).

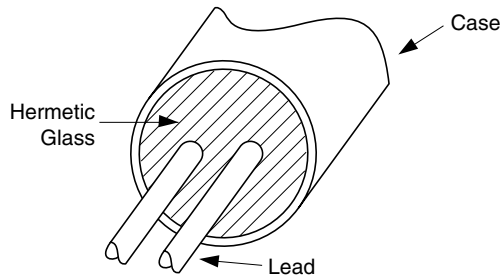


Figure 1

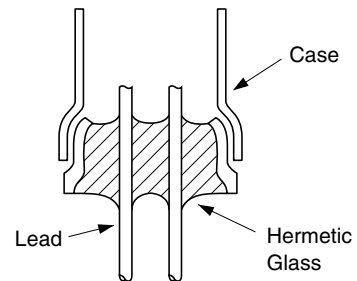


Figure 2

1.1.2 Unbending the lead

- (1) DO NOT pull the lead excessively if unbending a lead or removing a crystal unit. The excessive force may crack the glass and reduce the degree of vacuum. This may eventually result in deterioration of the characteristics and may also break the crystal chip (see Figure 3).
- (2) Unbend the lead by pressing on the bent part from both the upper and lower sides with fixing the bottom of lead tightly. (see Figure 4).

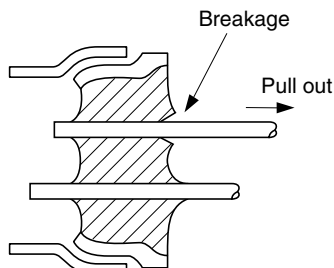


Figure 3

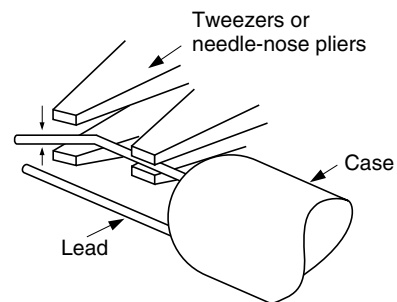


Figure 4

1.1.3 Bending the lead

- (1) Bend the lead so that the lead will remain straight for more than 0.5mm from the case when soldering a crystal unit after bending. If not, the glass may be cracked (see Figures 5 and 6).
- (2) Always leave a length greater than the case diameter when bending a lead after soldering (see Figure 7).

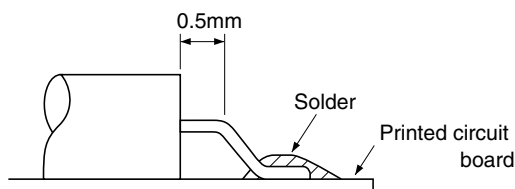


Figure 5

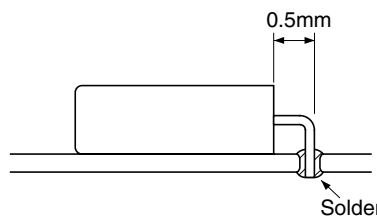


Figure 6

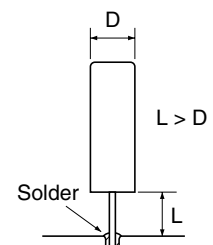


Figure 7

Soldering directly to the case will reduce the degree of vacuum and may result in deterioration of the characteristics and may break the crystal chip.

Make the length from the case to the printed circuit board (L) longer than the case diameter (D) so that the lead wire will not be pulled in case the crystal unit falls over.

1.1.4 Soldering

Heat the lead wire at a temperature of less than 280°C for 5 seconds or less, when mounting or removing a crystal unit. A long period of time of heating may result in deterioration of the characteristics and may break the crystal unit. Be sure to keep the case at or below 150°C.

Quartz Crystal Unit Handling Precautions

1.2 SMD Type Quartz Crystal Units

1.2.1 Soldering

(1) An example of the infrared ray reflow temperature profile is shown as follows (see Figure 8).

Example of SMD product soldering conditions
(230°C peak)

Example of SMD product soldering conditions
(260°C peak)

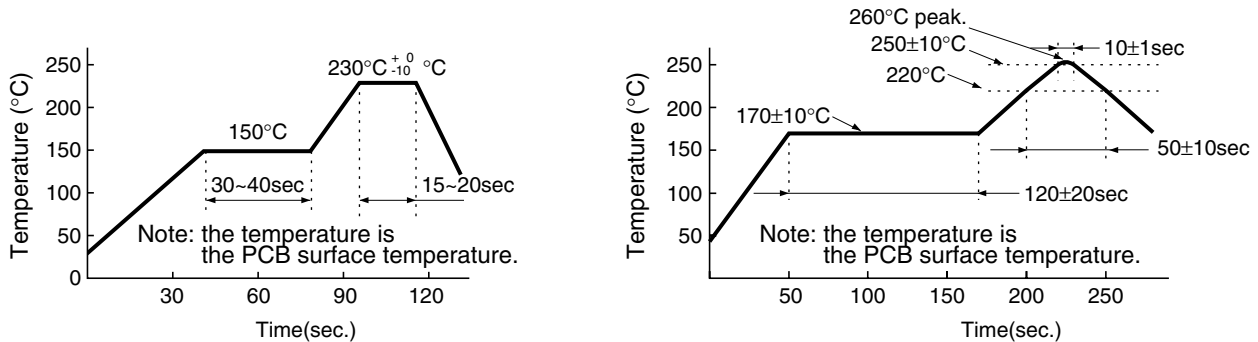


Figure.8

2. Cleaning

- (1) Since a small, thin crystal chip is used for low or intermediate frequency crystal units and the frequency approximates that of an ultrasonic cleaner, the crystal chip may break easily. Therefore, DO NOT perform ultrasonic cleaning.
- (2) Other crystal units may also break depending upon the ultrasonic cleaning condition. Please check the ultrasonic cleaning condition.

3. Mechanical Shock

- (1) The quartz crystal units are designed to withstand a drop from a height of 75 cm onto a hard wooden board at least three times. However, the crystal chip may break if dropped, depending upon how they are dropped. Ensure that the crystal unit functions normally before use if the crystal units have been dropped or subjected to an excessive mechanical shock.
- (2) Unlike chip parts such as resistors, and capacitors, the SMD crystal unit has a crystal chip which is hermetically sealed inside. Therefore, check the influence of shock caused during automatic mounting before use.

Oscillation Circuit Design Precautions

1. Drive Level (DL)

The drive level of a crystal unit is shown by the level of the operating power or the current consumption (see Figures 9, 10, and 11).

Operating the crystal unit at an excessive drive level may cause deterioration of characteristics such as the stability of the oscillation frequency or may break the crystal chip.

Depending upon the type of the crystal unit, the appropriate drive level range differs. Ensure that the drive level is appropriate .

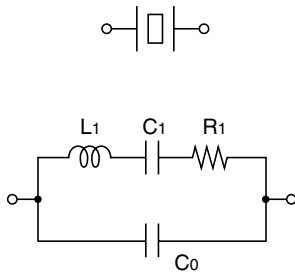


Figure 9

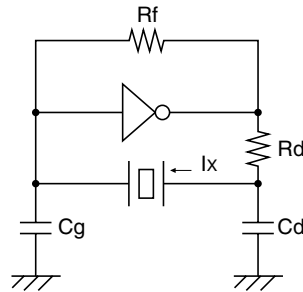


Figure 10

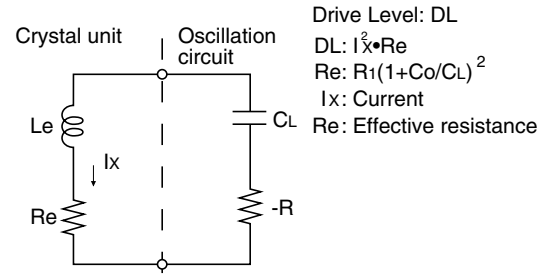


Figure 11

Drive Level: DL
 DL: $I_x^2 \cdot R_e$
 Re: $R_1(1+C_0/C_L)^2$
 Ix: Current
 Re: Effective resistance

2. Oscillation Frequency and Load Capacitance (CL)

The load capacitance (C_L) is a parameter for determining the frequency of the oscillation circuit. The C_L is represented by an effective equivalent capacitance that is loaded from the oscillation circuit to both ends of the crystal unit (see Figures 10 and 11).

The oscillation frequency varies depending upon the load capacitance of the oscillation circuit. In order to obtain the desirable frequency accuracy, matching between the load capacitances of the oscillation circuit and the crystal unit is required. When set to a small load capacitance, the frequency may be influenced by tolerance in the circuit elements. For more details, please contact SII.

Figure 12 shows an example of the frequency vs. load capacitance of a 32.768 kHz VT-200.

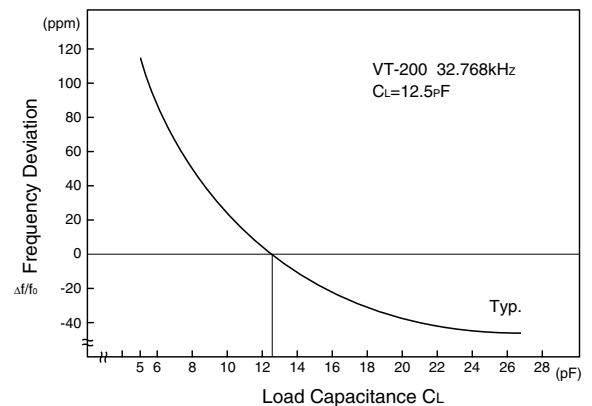


Figure 12

3. Oscillation Allowance

To ensure stable oscillation, the negative resistance of the circuit should be significantly larger than the equivalent series resistance (the oscillation allowance is large). The targeted oscillation allowance is at least five times as large as the equivalent series resistance.

Oscillation Allowance Evaluation Method

Add resistor "Rx" to the crystal unit in series and ensure that the oscillation starts or stops. The approximate negative resistance of the circuit is the value obtained by adding the effective resistance "Re" to the maximum resistance "Rx" when the oscillation starts or stops after gradually making "Rx" larger.

Negative resistance $-R_I = R_x + R_e$

$-R_I$ is a value at least five times as large as the maximum equivalent series resistance (R_1 max.) of the crystal unit.

*Re is the effective resistance value during oscillation.

$$R_e = R_1 \cdot \left(1 + \frac{C_0}{C_L}\right)^2$$

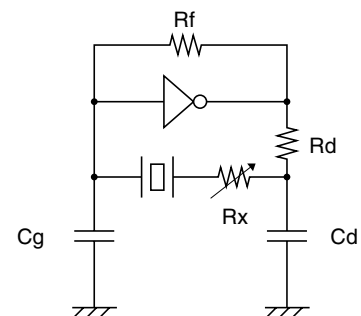


Figure 13

The following is the standard packing.

1. Lead type products

Product name	Quantity per lot	Quantity per bag	Quantity per box
VT Series	10,000 pcs.	500 pcs.	20 bags
VTC Series	10,000 pcs.	500 pcs.	20 bags

2. SMD products

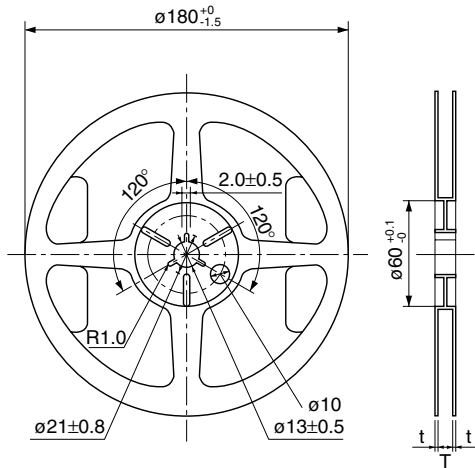
After being taped, the products are rolled onto a reel. The reels are packed in a box.

Product name	SP-T1	SP-T2	SP-T3	HTF-VT/VTC	SSP-T6	SSP-T7	HFC-150	NC-T3	SCA-132
Quantity per reel	2,000 pcs.	3,000 pcs.	3,000 pcs.	3,000 pcs.	9,000 pcs.	3,000 pcs.	6,000 pcs.	3,000 pcs.	3,000 pcs.

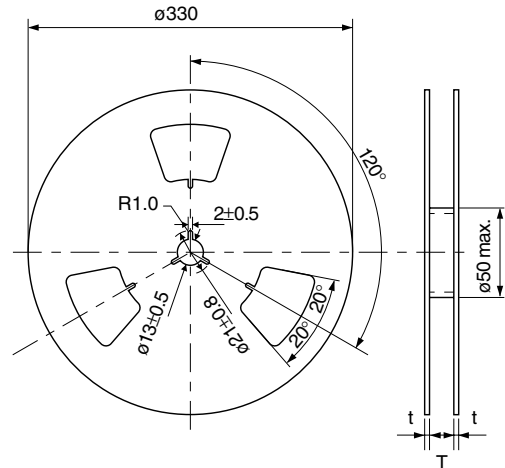
Tape and reel configuration

•Reel configuration

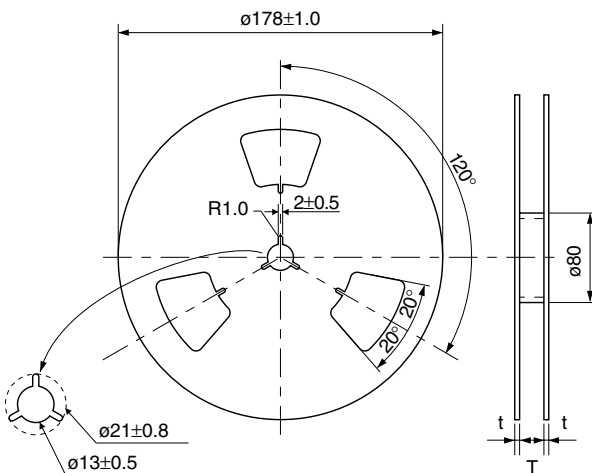
NC-T3 (Conforms with IEC60286-3)



**HTF-VT/VTC, SP-T1/T2/T3,
SSP-T6/T7, HFC-150**
(Conforms with IEC60286-3)



SCA-132 (Conforms with IEC60286-3)

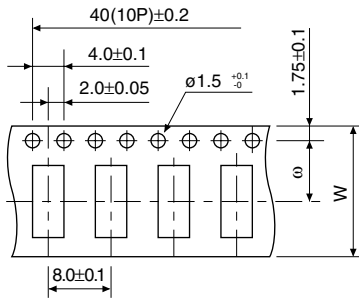


	HTF-VT/VTC, SP-T1/T2/T3, SSP-T6/T7, HFC-150	NC-T3	SCA-132
T	16.4	13.0	9.5
t	2.0	1.2	1.6

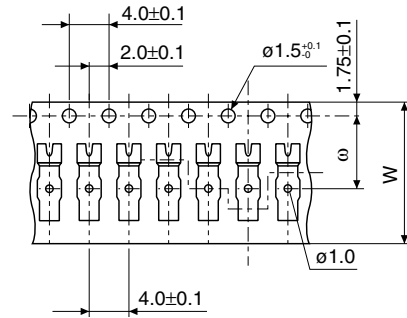
UNIT : mm

•Emboss taping configuration

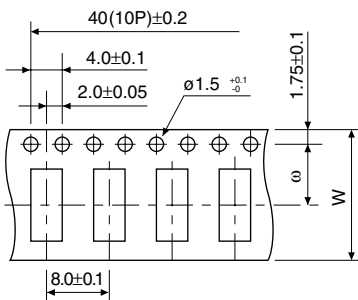
HTF-VT/VTC (Conforms with IEC60286-3)



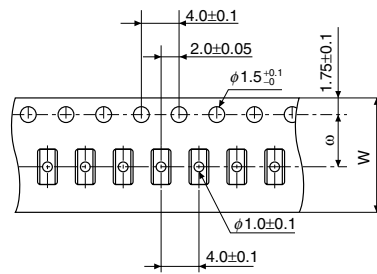
HFC-150 (Conforms with IEC60286-3)



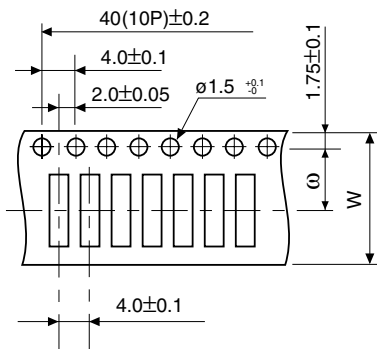
SP-T1/T2/T3 (Conforms with IEC60286-3)



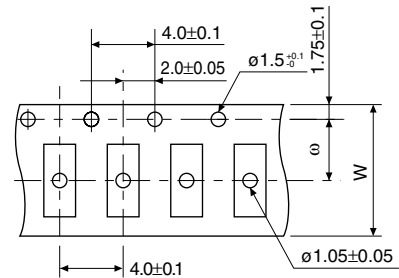
NC-T3 (Conforms with IEC60286-3)



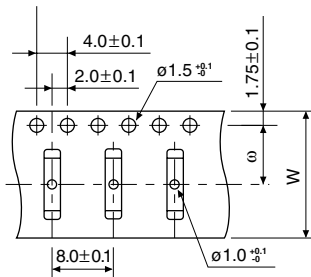
SSP-T6 (Conforms with IEC60286-3)



SCA-132 (Conforms with IEC60286-3)

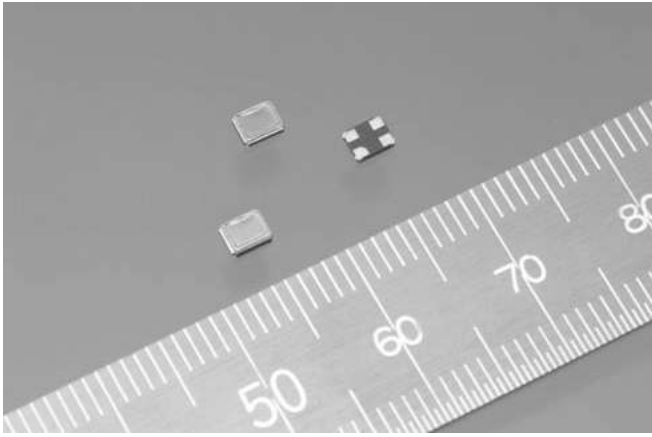


SSP-T7 (Conforms with IEC60286-3)



	HTF-VT/VTC, SP-T1/T2/T3, SSP-T6/T7, HFC-150	NC-T3	SCA-132
ω	7.5	5.5	3.5
W	16.0	12.0	8.0

UNIT : mm



FEATURES

- Ultra small mount area; 3.2mm x 2.5mm
- Ultra thin type with the height 0.7mm Max.
- SMD type suitable for automatic & high density surface mounting
- High frequency available (27MHz to 60MHz fundamental)
- Excellent shock and heat resistance
- Suitable for lead free process

APPLICATIONS

- Cellular Phone, PDA, DSC, Bluetooth, Portable Applications, etc.

STANDARD SPECIFICATIONS

Conditions without notice (Temperature: +25°C±2°C)

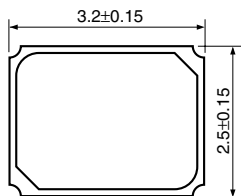
Item	Symbol	Specifications	Conditions / Notes
Nominal Frequency	f_0	27MHz to 60MHz	Fundamental
Frequency Tolerance	$\Delta f/f_0$	$\pm 10, \pm 15 \pm 20, \pm 30, \pm 50$ ppm *	+25°C Standard
Frequency Temperature Characteristics	$\Delta f/f_0$	$\pm 10, \pm 15 \pm 20, \pm 30, \pm 50$ ppm *	+25°C Standard -10°C to +70°C
Load Capacitance	CL	from 7.0 pF (12.5pF Standard)	
Equivalent Series Resistance	R ₁	As per below table	
Maximum Drive Level	DL _{max}	2mW max.	Only crystal oscillation is guaranteed
Recommended Drive Level	DL	10μW to 100μW	
Shunt Capacitance	C ₀	5pF max.	
Aging	$\Delta f/f_0$	±5ppm max.	+25°C, First Year
Operating Temperature Range	T _{ope}	-40°C to +85°C	
Storage Temperature Range	T _{sto}	-55°C to +125°C	
Reflow Profile	T _{sol}	+260°C max. x 5 sec. max.	Suitable for lead free process

Model	Frequency Range	Series Resistance
Fundamental	27MHz to 30MHz	60Ω max.
	30MHz to 60MHz	50Ω max.

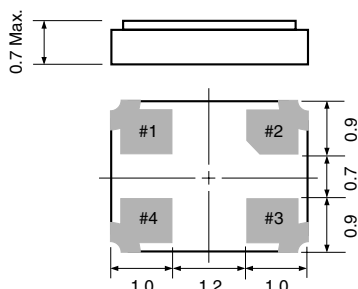
* Please feel free to contact us for inquiries about other frequencies in need.

DIMENSIONS

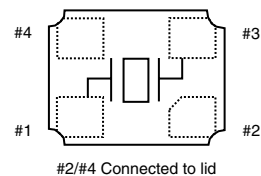
(For details, please refer to individual specification)



UNIT: mm

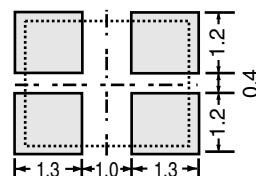


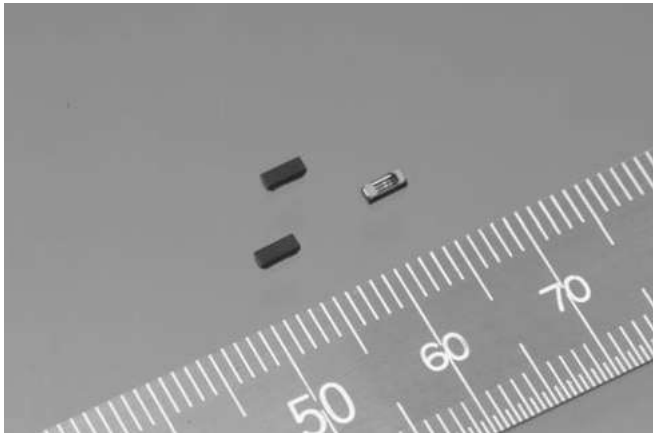
INTERNAL LEAD CONNECTION



RECOMMENDED SOLDERING PATTERN

UNIT: mm





FEATURES

- Ultra small mount area; 3.2mm x 1.2mm
- Ultra thin type with the height 1.0mm Max.
- SMD type suitable for automatic & high density surface mounting
- Combination of highly reliable photo lithographic technology & new packaging technology
- Excellent shock and heat resistance
- 100% lead free

APPLICATIONS

- Cellular Phone, PHS, PDA, Radio Communication Equipment, Portable Applications, etc.

STANDARD SPECIFICATIONS

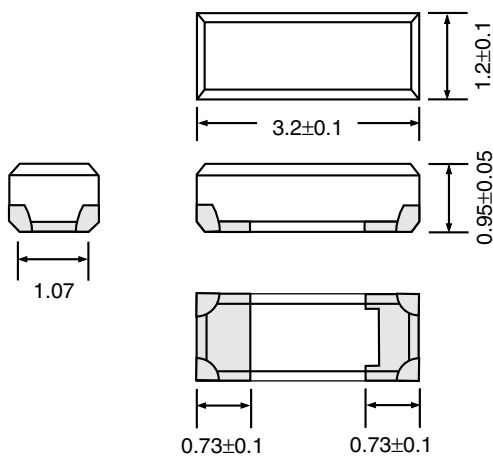
Conditions without notice (Temperature: +25°C±2°C)

Item	Symbol	Specifications	Conditions / Notes
Nominal Frequency	f ₀	32.768kHz	
Frequency Tolerance	Δ f/f ₀	±20ppm, ±50ppm	
Turnover Temperature	T _p	+25°C±5°C	
Temperature Coefficient	K	(-3.5±1.0) x 10 ⁻⁸ /°C ²	
Load Capacitance	C _L	7.0 pF / 12.5pF	
Equivalent Series Resistance	R ₁	50kΩ max.	
Maximum Drive Level	DL _{max}	1.0μW	
Recommended Drive Level	DL	0.1μW	
Shunt Capacitance	C ₀	1.7pF typ.	
Aging	Δ f/f ₀	±3ppm max.	+25°C±3°C, First Year
Operating Temperature Range	T _{ope}	-40°C to +85°C	
Storage Temperature Range	T _{sto}	-55°C to +125°C	
Reflow Profile	T _{sol}	+260°C max. x 5 sec. max.	IR Reflow

DIMENSIONS

(For details, please refer to individual specification)

UNIT: mm

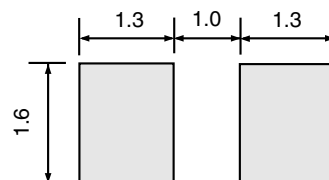


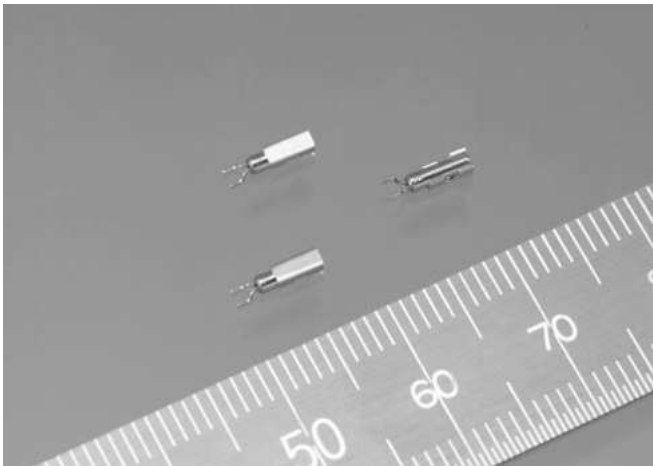
INTERNAL LEAD CONNECTION



RECOMMENDED SOLDERING PATTERN

UNIT: mm





FEATURES

- IR reflowable tubular type crystal with lead bent in tape/reel
- Suitable for automatic and high density surface mounting
- Excellent shock and heat resistance

APPLICATIONS

- Cellular Phone, PHS, PDA, Radio Communication Equipment, Portable Applications, etc.

STANDARD SPECIFICATIONS

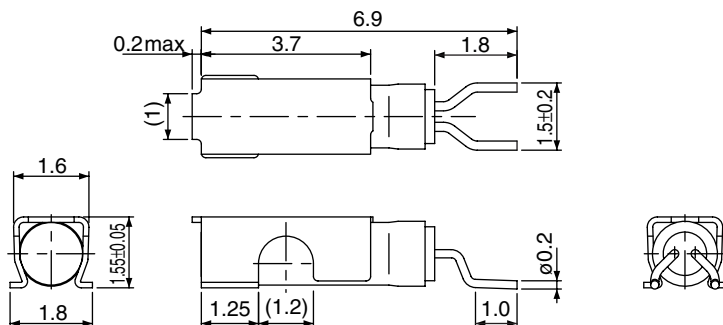
Conditions without notice (Temperature: +25°C±2°C)

Item	Symbol	Specifications	Conditions / Notes
Nominal Frequency	f_0	32.768kHz	
Frequency Tolerance	$\Delta f/f_0$	±20ppm, ±30ppm	
Turnover Temperature	T_p	+25°C±5°C	
Temperature Coefficient	K	$(-3.5 \pm 0.8) \times 10^{-8}/^{\circ}\text{C}$	
Load Capacitance	C_L	7.0pF/9.0pF/12.5pF	
Equivalent Series Resistance	R_1	55kΩ max.	
Maximum Drive Level	DLmax	1.0μW	
Recommended Drive Level	DL	0.1μW	
Shunt Capacitance	C_0	0.9pF typ.	
Aging	$\Delta f/f_0$	±3ppm max.	+25°C±3°C, First Year
Operating Temperature Range	T_{ope}	-40°C to +85°C	
Storage Temperature Range	T_{sto}	-55°C to +125°C	
Reflow Profile	T_{sol}	260°C max. x 5 sec. x 2 times	IR Reflow

DIMENSIONS

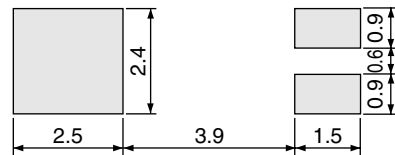
(For details, please refer to individual specification)

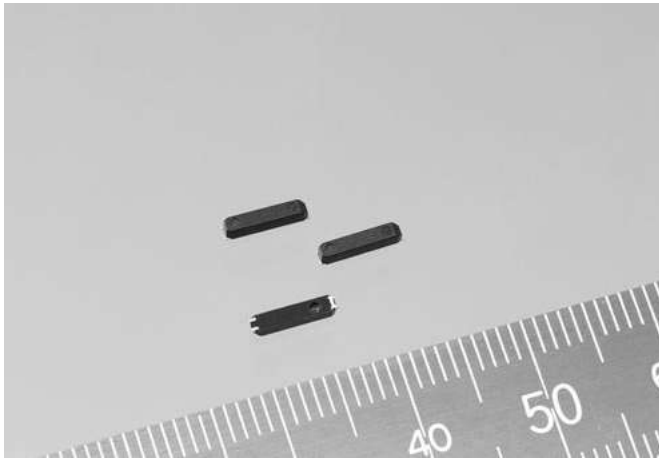
UNIT: mm



RECOMMENDED SOLDERING PATTERN

UNIT: mm





FEATURES

- Ultra thin type with height 1.4mm Max.
- SMD type suitable for automatic & high density surface mounting.
- Plastic mold package containing highly reliable tubular type quartz crystal.
- Excellent shock and heat resistance.

APPLICATIONS

- Cellular Phones, PDA, DVC, Radio Communication Equipment, Portable Applications etc.

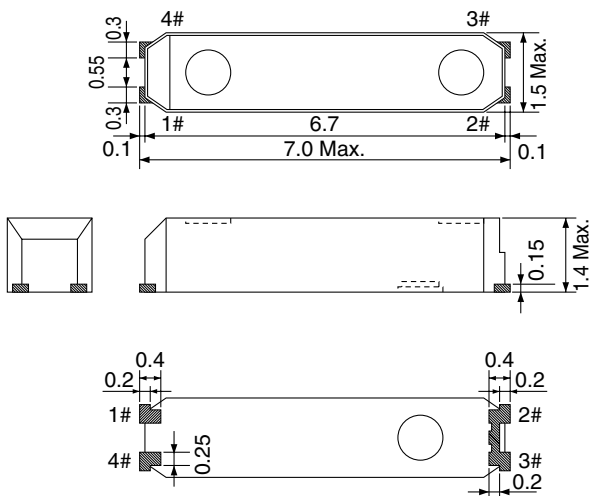
STANDARD SPECIFICATIONS

Conditions without notice (Temperature: +25°C±2°C)

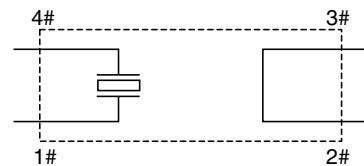
Item	Symbol	Specifications	Conditions / Notes
Nominal Frequency	f_0	32.768kHz	
Frequency Tolerance	$\Delta f/f_0$	±20ppm, ±50ppm	
Turnover Temperature	T_p	+25°C±5°C	
Temperature Coefficient	K	$(-3.5 \pm 1.0) \times 10^{-9}/^{\circ}\text{C}^2$	
Load Capacitance	C_L	7.0 pF / 12.5pF	
Equivalent Series Resistance	R_1	65kΩ max.	
Maximum Drive Level	DLmax	1μW	
Recommended Drive Level	DL	0.1μW	
Shunt Capacitance	C_0	0.8pF typ.	
Aging	$\Delta f/f_0$	±3ppm max.	+25°C±3°C, First Year
Operating Temperature Range	T_{op}	-40°C to +85°C	
Storage Temperature Range	T_{st}	-55°C to +125°C	
Reflow Profile	T_{sol}	260°C max. x 5 sec. max.	IR Reflow

DIMENSIONS

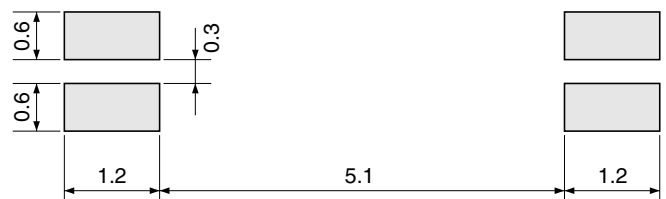
(For details, please refer to individual specification)



INTERNAL LEAD CONNECTION

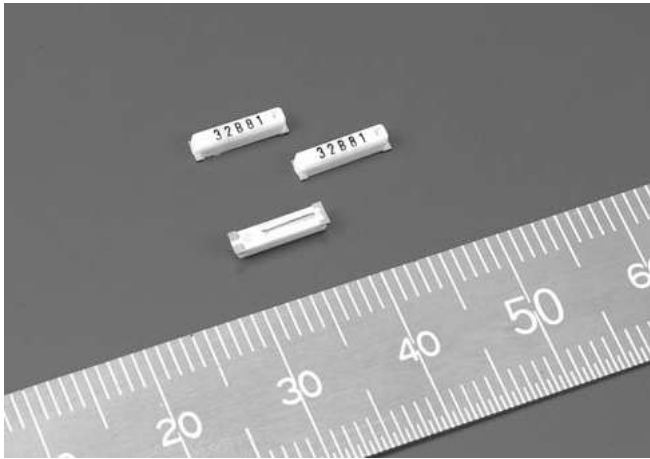


RECOMMENDED SOLDERING PATTERN



* Do not connect #2 and #3 to external device.

SSP-T Series (SSP-T6) Surface Mount Quartz Crystal Units for Low Frequencies



FEATURES

- Ultra thin type with height 1.6mm Max.
- Ultra small mounting area of 16.8mm²
- SMD type suitable for automatic & high density surface mounting.
- Plastic mold package containing highly reliable tubular type quartz crystal.
- Excellent shock and heat resistance.

APPLICATIONS

- Cellular Phones, Pagers, Radio Communication Equipment, Portable Applications etc.

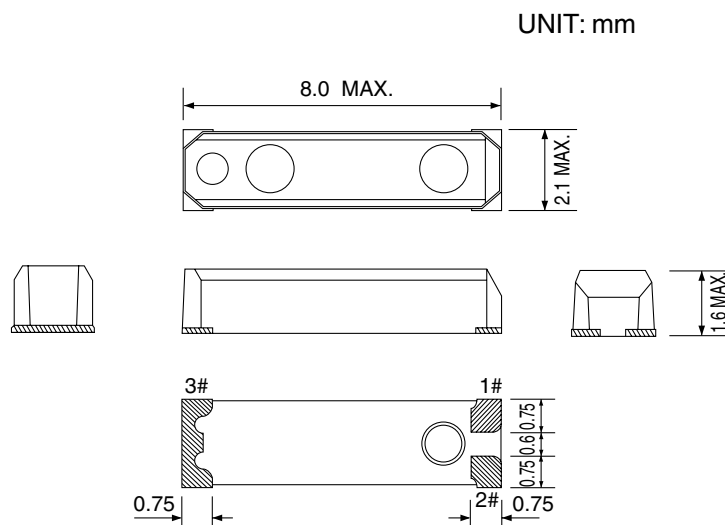
STANDARD SPECIFICATIONS

Conditions without notice (Temperature: +25°C±2°C)

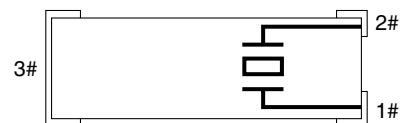
Item	Symbol	Specifications	Conditions / Notes
Nominal Frequency	f ₀	32.768kHz/75.000kHz	
Frequency Tolerance	△ f/f ₀	±10ppm, ±20ppm, ±50ppm	Can be used in high accurate products
Turnover Temperature	T _p	+25°C±5°C	
Temperature Coefficient	K	(-3.5±1.0) × 10 ⁻⁸ /°C ²	
Load Capacitance	C _L	7.0pF/12.5pF	
Equivalent Series Resistance	R ₁	55kΩ max.	
Maximum Drive Level	DL _{max}	1μW	
Recommended Drive Level	DL	0.1μW	
Shunt Capacitance	C ₀	0.95pF typ.	
Aging	△ f/f ₀	±3ppm max.	+25°C±3°C, First Year
Operating Temperature Range	T _{ope}	-40°C to +85°C	
Storage Temperature Range	T _{sto}	-55°C to +125°C	
Reflow Profile	T _{sol}	230°C max. 20sec. x 2 times	IR Reflow

DIMENSIONS

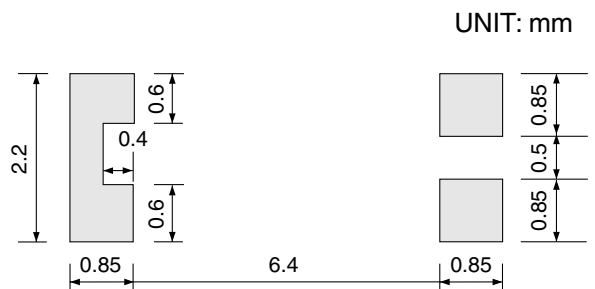
(For details, please refer to individual specification)



INTERNAL LEAD CONNECTION



RECOMMENDED SOLDERING PATTERN



Note: Please make sure that there is no electric wire line under SSP-T6 on the circuit board.



FEATURES

- Low height 2.0mm max.
- Plastic mold package incorporated tubular type quartz crystal.
- Suitable for automatic and high density surface mounting.
- Excellent shock and heat resistance.

APPLICATIONS

- Radio Communication Equipment, Pagers, Cellular Phones, Portable Applications, Clock Source for Micro-Computers

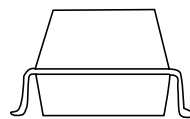
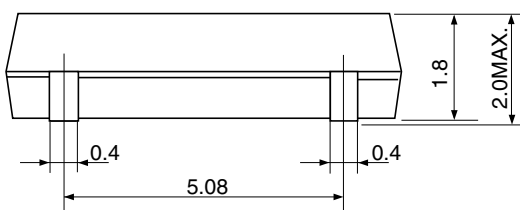
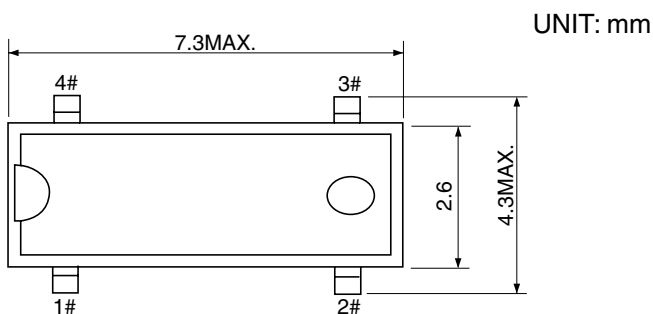
STANDARD SPECIFICATIONS

Conditions without notice (Temperature: +25°C±2°C)

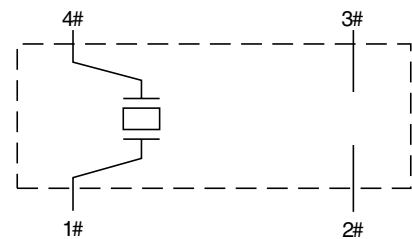
Item	Symbol	Specifications	Conditions / Notes
Nominal Frequency	f_0	32.768kHz	
Frequency Tolerance	$\Delta f/f_0$	±20ppm, ±30ppm, ±50ppm, ±100ppm	Can be used in high accurate products
Turnover Temperature	T_p	+25°C±5°C	
Temperature Coefficient	K	$(-3.5 \pm 1.0) \times 10^{-8}/^{\circ}\text{C}^2$	
Load Capacitance	C_L	6.0 to 12.5pF	
Equivalent Series Resistance	R_1	55kΩ max.	
Maximum Drive Level	DLmax	1μW	
Recommended Drive Level	DL	0.1μW	
Shunt Capacitance	C_0	0.9pF typ.	
Aging	$\Delta f/f_0$	±3ppm max.	+25°C±3°C, First Year
Operating Temperature Range	T_{ope}	-40°C to +85°C	
Storage Temperature Range	T_{sto}	-55°C to +125°C	
Reflow Profile	T_{sol}	230°C max., 20sec. max. x 2 times	IR Reflow

DIMENSIONS

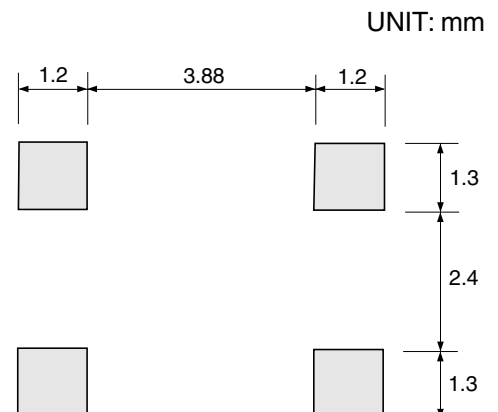
(For details, please refer to individual specification)



INTERNAL LEAD CONNECTION



RECOMMENDED SOLDERING PATTERN





FEATURES

- Plastic mold package incorporated tubular type quartz crystal.
- Suitable for automatic and high density surface mounting.
- Excellent shock and heat resistance.

APPLICATIONS

- Radio Communication Equipment, Pagers, Cellular Phones, Camcorders, Portable Applications, Clock Source for Micro-Computers

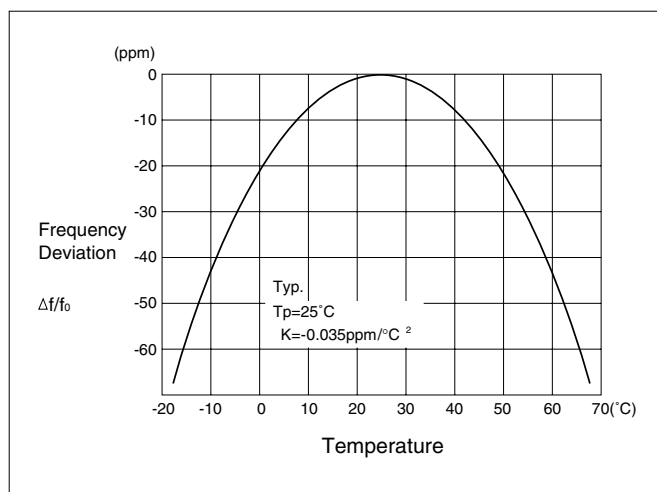
STANDARD SPECIFICATIONS

Conditions without notice (Temperature: +25°C±2°C)

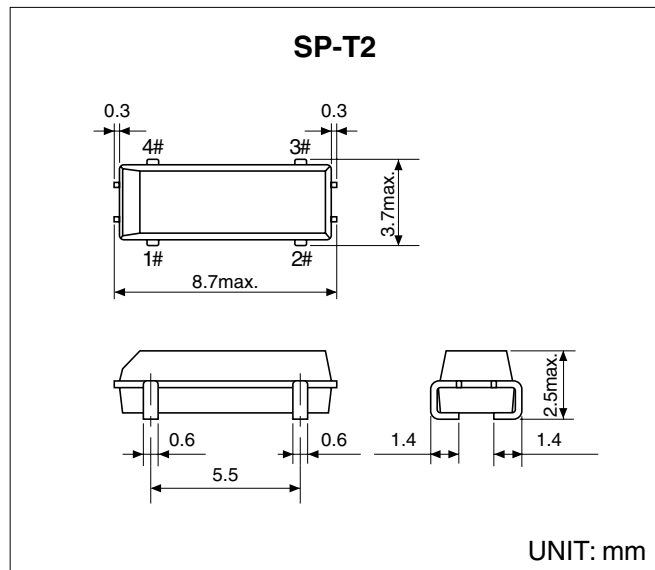
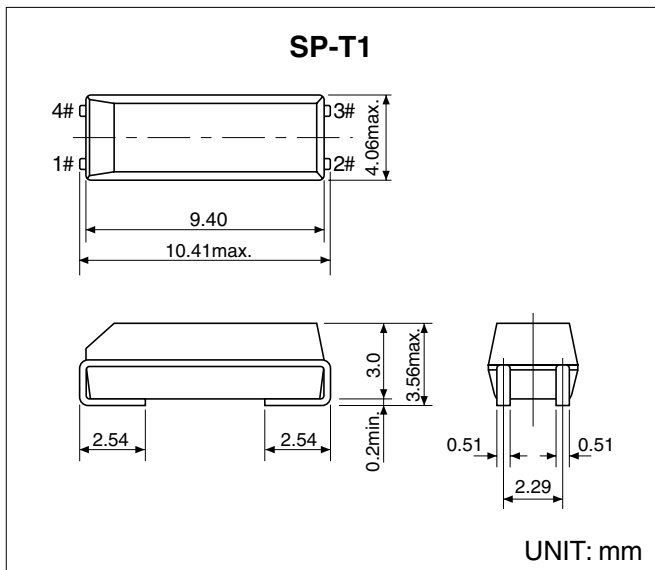
Item	Symbol	Specifications		Conditions / Notes
Nominal Frequency	f ₀	32.768kHz	32kHz to 200kHz*	
Frequency Tolerance	Δf/f ₀	±20ppm, ±50ppm, ±100ppm		
Turnover Temperature	T _p	+25°C±5°C	+25°C±8°C	
Temperature Coefficient	K	(-3.5±0.8) × 10 ⁻⁹ /°C ²		
Load Capacitance	C _L	6.0 to 12.5pF		
Equivalent Series Resistance	R ₁	50kΩ max.		
Maximum Drive Level	DL _{max}	1μW		
Recommended Drive Level	DL	0.1μW		
Shunt Capacitance	C ₀	1.0pF typ.	0.95pF typ.	
Aging	Δf/f ₀	±5ppm max.		+25°C±3°C, First Year
Operating Temperature Range	T _{ope}	-40°C to +85°C		
Storage Temperature Range	T _{sto}	-55°C to +125°C		
Reflow Profile	T _{sol}	230°C max., 20sec. max. x 2 times		IR Reflow

* Please feel free to contact us for inquiries about other frequencies in need.

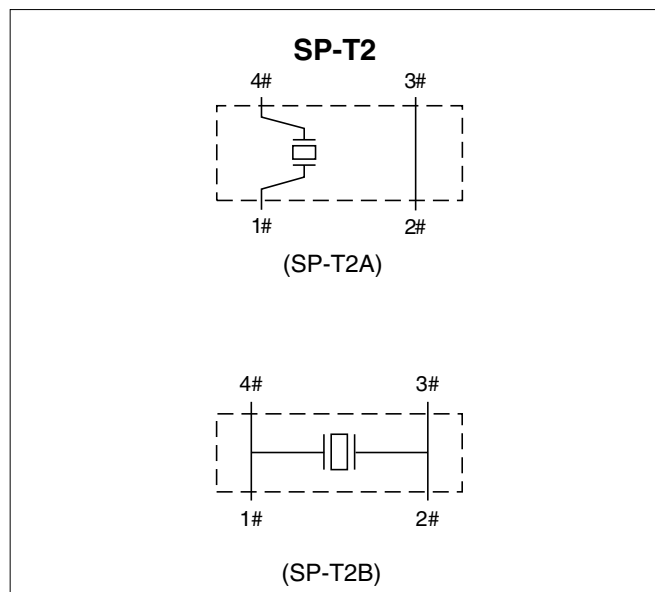
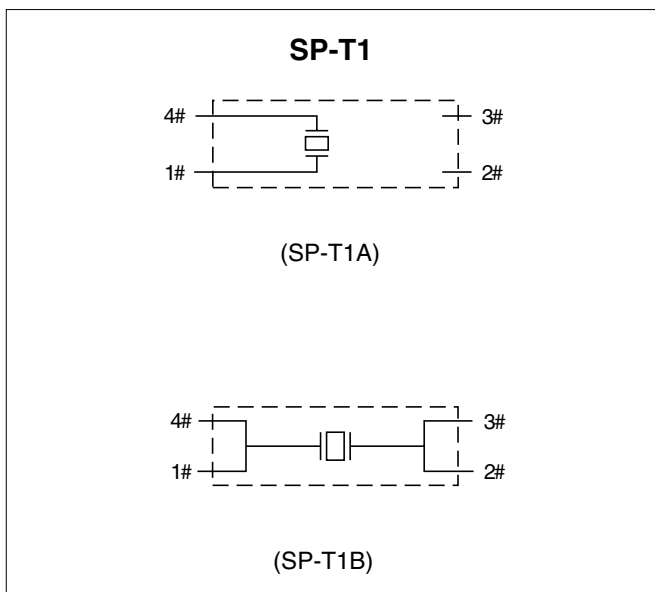
FREQUENCY-TEMPERATURE CURVE



DIMENSIONS (For details, please refer to individual specification)

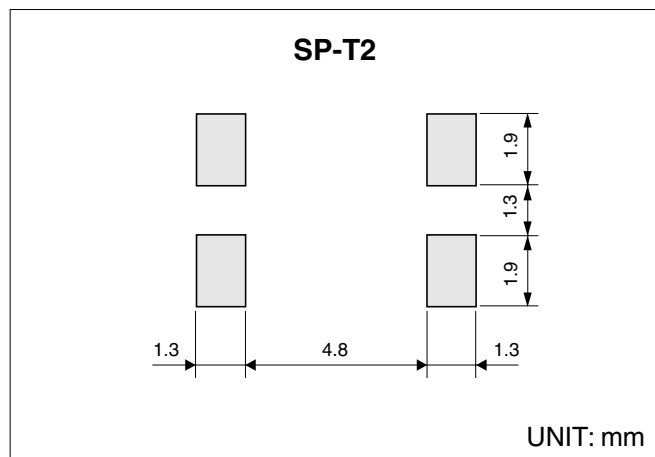
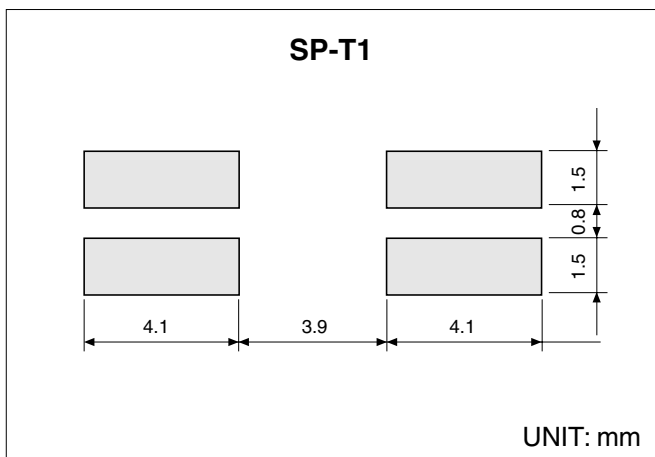


INTERNAL LEAD CONNECTION

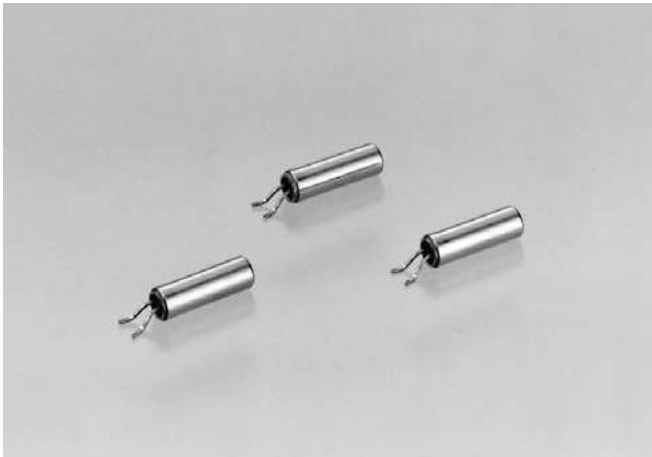


Note: Do not connect terminals #2, #3 of T1A and T2A to the outside electrode. These are dummy terminals.

RECOMMENDED SOLDERING PATTERN



Note: The drawings are not a PCB layout.



FEATURES

- IR reflowable tubular type crystal with lead bent in tape/reel.
- Suitable for automatic and high, density surface mounting.
- Excellent shock and heat resistance.

APPLICATIONS

- Radio Communication Equipment, Pagers, Cellular Phones, Camcorders, Portable Applications, Clock Source for Micro-Computers

STANDARD SPECIFICATIONS

Conditions without notice (Temperature: +25°C±2°C)

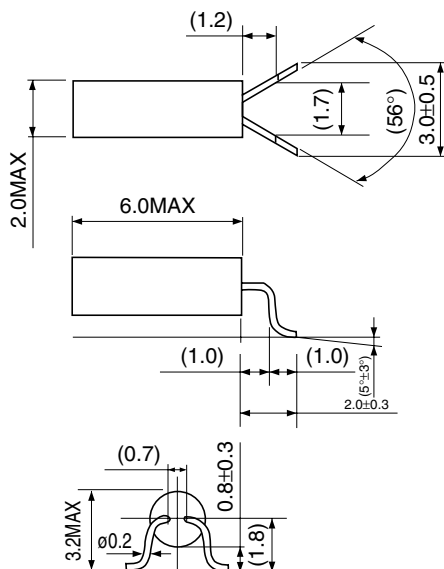
Item	Symbol	Specifications		Conditions / Notes
Nominal Frequency	f ₀	32.768kHz	32.0kHz to 153.6kHz*	
Frequency Tolerance	Δf/f ₀	±30ppm, ±50ppm, ±100ppm		
Turnover Temperature	T _p	+25°C±5°C	+25°C±8°C	
Temperature Coefficient	K	(-3.5±0.8) × 10 ⁻⁸ /°C ²		
Load Capacitance	C _L	6.0 to 12.5pF		
Equivalent Series Resistance	R ₁	50kΩ max.		
Maximum Drive Level	DL _{max}	1.0μW		
Recommended Drive Level	DL	0.1μW		
Shunt Capacitance	C ₀	0.8pF typ.	0.5 to 0.9pF typ.	
Aging	Δf/f ₀	±3ppm max.	±5ppm max.	+25°C±3°C, First Year
Operating Temperature Range	T _{ope}	-40°C to +85°C		
Storage Temperature Range	T _{sto}	-55°C to +125°C		
Reflow Profile	T _{sol}	230°C max., 20 sec. max. x 2times		IR Reflow

* Please feel free to contact us for inquiries about other frequencies in need.

DIMENSIONS

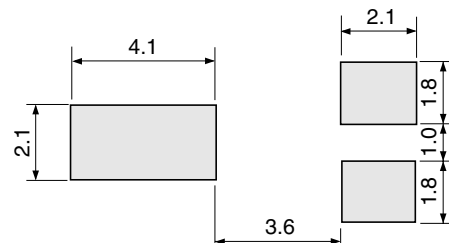
(For details, please refer to individual specifications)

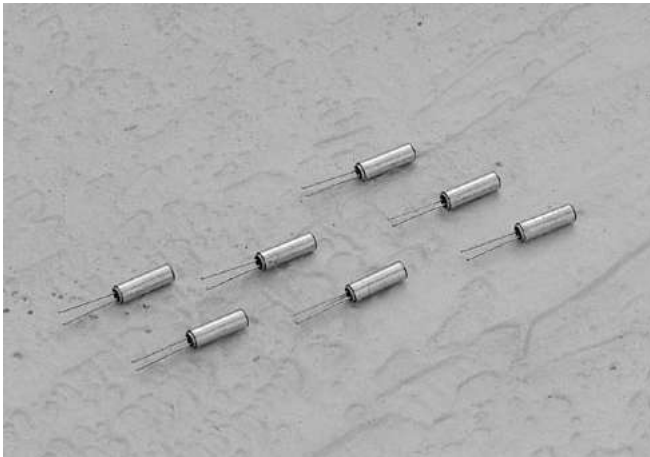
UNIT: mm



RECOMMENDED SOLDERING PATTERN

UNIT: mm





FEATURES

- Compact tubular package.
- Photolithographic process.
- Excellent shock resistance and environmental characteristics.

APPLICATIONS

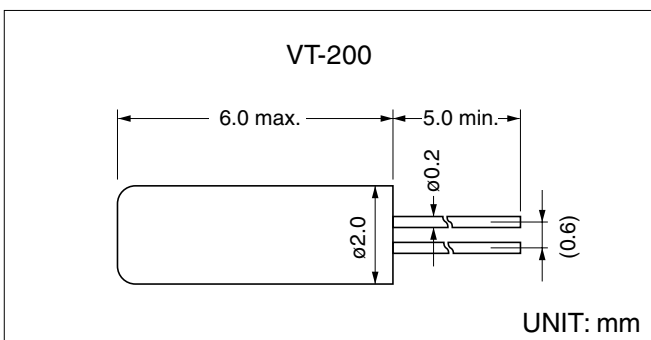
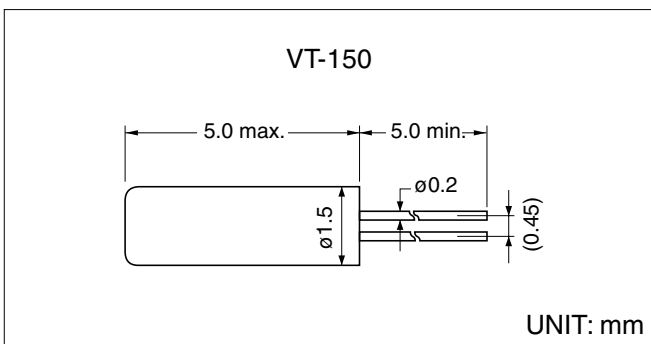
- Real Time Clocks, Timers, Pagers, Cameras, Remote-Controllers, Portable Applications

STANDARD SPECIFICATIONS

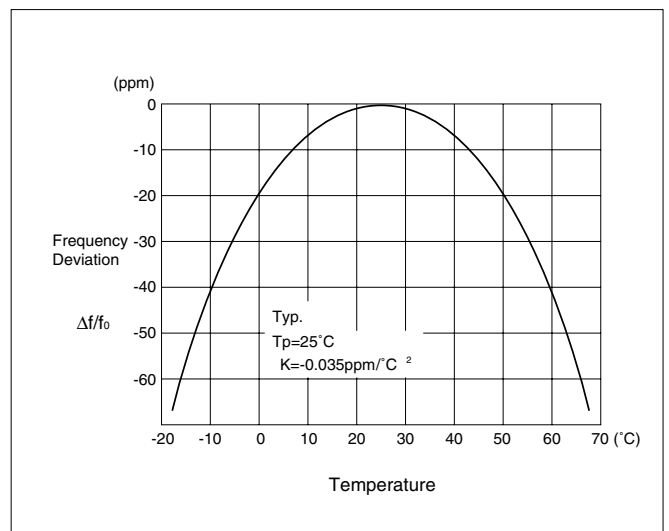
Conditions without notice (Temperature: +25°C±2°C)

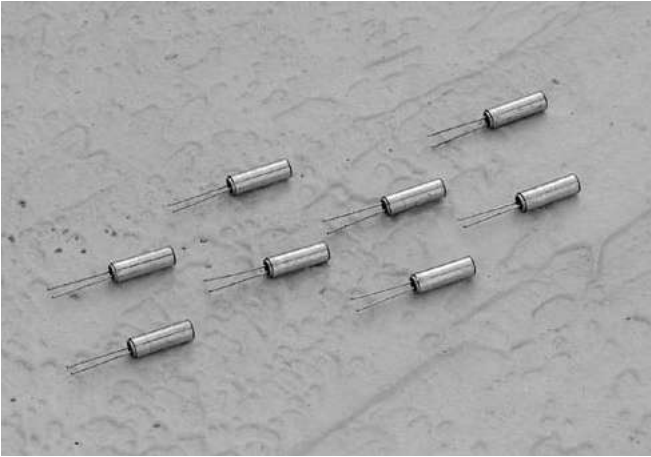
Item	Symbol	Specifications	Conditions / Notes
Nominal Frequency	f_0	32.768kHz	
Frequency Tolerance	$\Delta f/f_0$	(±5ppm) ±10ppm, ±20ppm	
Turnover Temperature	T_p	+25°C±5°C	
Temperature Coefficient	K	$(-3.5 \pm 0.8) \times 10^{-8}/^{\circ}\text{C}^2$	
Load Capacitance	C_L	4.5 to 12.5pF	
Equivalent Series Resistance	R_1	50kΩ max.	
Maximum Drive Level	DLmax	1μW	
Recommended Drive Level	DL	0.1μW	
Shunt Capacitance	C_0	0.86pF typ.	
Aging	$\Delta f/f_0$	±5ppm max.	+25°C±3°C, First Year
Operating Temperature Range	Top	-10°C to +60°C	
Storage Temperature Range	Tsto	-30°C to +70°C	
Solderability	Tsol	280°C max. 5sec. max (Package 150°C max.)	Leads Only

DIMENSIONS



FREQUENCY-TEMPERATURE CURVE





FEATURES

- Compact tubular package.
- Low frequency coverage from 32kHz to 200kHz.
- Photolithographic process.
- Excellent shock resistance and environmental characteristics.

APPLICATIONS

- Radio Communication Equipment, Clock Source for Micro-Computers, Pagers, Portable Applications

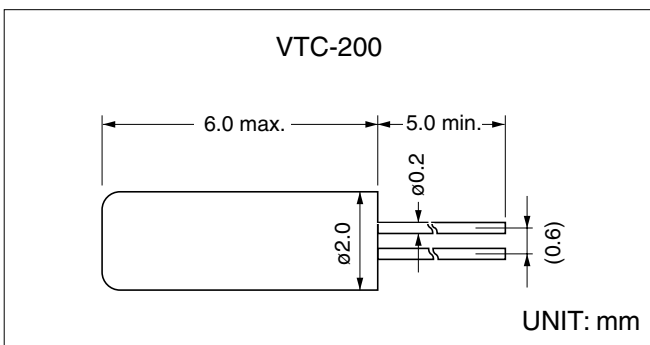
STANDARD SPECIFICATIONS

Conditions without notice (Temperature: +25°C±2°C)

Item	Symbol	Specifications			Conditions / Notes
Nominal Frequency	f_0	32kHz to 49.9kHz*	50kHz to 79.9kHz*	80kHz to 200kHz*	
Frequency Tolerance	$\Delta f/f_0$	±30ppm, ±50ppm			
Turnover Temperature	T_p	+25°C±8°C			
Temperature Coefficient	K	$(-3.5 \pm 0.8) \times 10^{-8}/^{\circ}\text{C}^2$			
Load Capacitance	C_L	6.0 to 12.5pF			
Equivalent Series Resistance	R_1	50kΩ max.	35kΩ max.	25kΩ max.	
Maximum Drive Level	DLmax	1μW			
Recommended Drive Level	DL	0.1μW			
Shunt Capacitance	C_0	0.8pF typ.		0.75pF typ.	
Aging	$\Delta f/f_0$	±5ppm max.			+25°C±3°C, First Year
Operating Temperature Range	T_{op}	-10°C to +60°C			
Storage Temperature Range	T_{st}	-30°C to +70°C			
Solderability	T_{sol}	280°C max., 5sec. max (Package 150°C max.)			Leads Only

* Please feel free to contact us for inquiries about other frequencies in need.

DIMENSIONS



SII GROUP ENVIRONMENTAL POLICY

ENVIRONMENTAL CONCEPT:

SII is concerned about every facet of global environment and is aiming toward a world where all living things can exist in harmony together. SII works for the protection of the environment and its continual improvement in every corporate activity.

Environmental Actions taken by Quartz Crystal Division

1) Provide Environmentally Friendly Products and Services

- Promote LCA (Life Cycle Assessment)
- Promote lead-free soldering
- Expand "Green Purchasing"

**Complete lead-free product:
NC-T3, SCA-132**

2) Save Energy and Contribute to diminish Global Warming

- Energy Saving in Production Process

Taking actions such as switching the source of air conditioning from electricity to gas, reducing CO2 emission, but increasing the production efficiency.

3) Conserve Global Resources through Recycling and Reducing Waste towards the final Goal of ZERO EMISSIONS.

- Promoting to abolish any toxic or dangerous material, use environment-friendly substitutes and re-use; quartz crystal electrode membrane, plastic mold resin, lead frame, etc.







4) Encourage Employees to contribute to the Protection of the Environment in their every day life, personal as well as the professional.

- Stop using ozone-layer depleting materials:
 - * SII discontinued specific fluorine at the end of 1991;
 - * SII discontinued trichloroethane at the end of 1992;
 - * SII discontinued mehtylene chloride at the end of 1996;
- Promote continuous actions, identifying materials to be reduced and to be limited in its use.

5) Green Life

Our manufacturing site is located close to Taiheyzan Natural Park. Accordingly we promote planting trees at our site and contribute to neighboring community with closer communication.

6) Trend of Miniaturizing of SMD Quartz Crystal Unit

Series	SP-T1	SP-T2	SP-T3	SSP-T6	SSP-T7	NC-T3
Area(mm ²)	42	34	36.5	16.8	10.5	3.8
Height(mm)	3.6	2.5	2.0	1.6	1.4	1.0
Weight(mg)	195	120	70	50	28	8.6
						



Check List for Quartz Crystal Unit Selection

Please use this check list for you lest selection of quartz crystal unit

Fax Transmittal

To : Quartz Crystal Sales, Network Component Business Unit
Seiko Instruments Inc. Fax : +81-43-211-8030

LOW FREQUENCY QUARTZ CRYSTAL UNIT

Crystal Product Name		<input type="checkbox"/> NC-T3	<input type="checkbox"/> HFC-150	<input type="checkbox"/> SSP-T7	<input type="checkbox"/> SSP-T6	
		<input type="checkbox"/> SSP-T3	<input type="checkbox"/> SP-T2A	<input type="checkbox"/> SP-T2B	<input type="checkbox"/> SP-T1A	<input type="checkbox"/> SP-T1B
		<input type="checkbox"/> HTF-VT	<input type="checkbox"/> HTF-VTC	<input type="checkbox"/> VT-150	<input type="checkbox"/> VT-200	<input type="checkbox"/> VTC-200
Nominal Frequency	fo	_____ KHZ				
Frequency Tolerance	$\Delta f/fo$	<input type="checkbox"/> ± 10 ppm	<input type="checkbox"/> ± 20 ppm	<input type="checkbox"/> ± 30 ppm	<input type="checkbox"/> ± 50 ppm	<input type="checkbox"/> _____ ppm
Load Capacitance	CL	<input type="checkbox"/> 7pF	<input type="checkbox"/> 9pF	<input type="checkbox"/> 12.5pF	<input type="checkbox"/> _____ pF	
Series Resistance	R1	_____ K Ω max				

HIGH FREQUENCY QUARTZ CRYSTAL UNIT

Crystal Product Name		<input type="checkbox"/> SCA-132				
Nominal Frequency	fo	_____ MHZ				
Frequency Tolerance (25°C)	$\Delta f/fo$	<input type="checkbox"/> ± 10 ppm	<input type="checkbox"/> ± 20 ppm	<input type="checkbox"/> ± 30 ppm	<input type="checkbox"/> ± 50 ppm	<input type="checkbox"/> _____ ppm
Operating Temperature Range	Tope	<input type="checkbox"/> -10°C/+70°C <input type="checkbox"/> -20°C/+70°C <input type="checkbox"/> _ °C/ _ °C				
Frequency Temperature Characteristics	$\Delta f/fo$	<input type="checkbox"/> ± 10 ppm	<input type="checkbox"/> ± 20 ppm	<input type="checkbox"/> ± 30 ppm	<input type="checkbox"/> ± 50 ppm	<input type="checkbox"/> _____ ppm
Load Capacitance	CL	<input type="checkbox"/> 7pF	<input type="checkbox"/> 10pF	<input type="checkbox"/> 12pF	<input type="checkbox"/> _____ pF	
Series Resistance	R1	_____ Ω max				

OTHER SPECIAL REQUIREMENTS

Customer's Name and Address

Name	
Company name / Station	
Telephone	
Facsimile	
E-mail	

[MEMO]



[MEMO]

IMPORTANT

1. The information herein is subject to change without notice.
2. Neither reproduction nor duplication of this catalog in whole or part is allowed without the prior written approval of Seiko Instruments Inc.
3. The colors of the products reproduced herein may be different from the actual colors. Check color on actual products before using the product.
4. Circuits and respective application methods described herein are for reference only. Seiko Instruments Inc. is not responsible for any and all infringement or damages to the rights of third parties (including industrial properties) caused by the use of circuits or application methods herein. Seiko Instruments Inc. shall not license any industrial properties owned by Seiko Instruments Inc. or any third party through this catalog.
5. When products described herein include Strategic Products (or Services) stipulated in the Foreign Exchange and Trade Control Law, they shall not be exported without permission of governmental authorities.
6. The products described herein are designed for consumer equipment and cannot be used as part of any device or equipment which influences the human body or requires a significantly high reliability, such as physical exercise equipment, medical equipment, disaster prevention equipment, gas related equipment, vehicles, aircraft and equipment mounted on vehicles.



SII Quartz Techno Ltd. who manufactures the products described in this catalog holds the ISO-9001 and the QS-9000 quality management system certificates, and the ISO-14001 environmental management systems certificate.



www.sii.co.jp/compo

Seiko Instruments Inc.

Network Components Business Unit
1-8, Nakase, Mihama-ku, Chiba-shi, Chiba 261-8507, Japan
Telephone :+81-43-211-1207 Facsimile :+81-43-211-8030
E-mail:component@sii.co.jp

Seiko Instruments USA Inc.

Electronic Components Div.
2990 W. Lomita Blvd., Torrance, CA 90505, U.S.A.
Telephone :+1-800-934-9334 Facsimile :+1-909-975-5699
E-mail :seiko-eed@salessupport.com
<http://www.seiko-usa-eed.com>

Seiko Instruments GmbH

Siemensstraße 9, D-63263 Neu-Isenburg, Germany
Telephone :+49-6102-297-0 Facsimile :+49-6102-297-320
E-mail :info@seiko-instruments.de
<http://www.seiko-instruments.de>

Seiko Instruments France S.A.R.L.

55, Rue d' Aguesseau, 92774, Boulogne Billancourt, Cedex, France
Telephone :+33-1-41-31-71-30 Facsimile :+33-1-41-31-71-39
E-mail :info@seiko-instruments.fr
<http://www.seiko-instruments.fr>

Seiko Instruments (H.K.) Ltd.

4-5 / F, Wyler Centre 2, 200 Tai Lin Pai Road, Kwai Chung,
N.T., Kowloon, Hong Kong
Telephone :+852-2421-8611 Facsimile :+852-2480-5479
E-mail :sales@sih.com.hk
<http://www.sih.com.hk>

Seiko Instruments Taiwan Inc.

4FL, No.40, Sec. 2, Min-Chuan E. Rd., Taipei 104, Taiwan, R.O.C.
Telephone :+886-2-2563-5001 Facsimile :+886-2-2521-9519
E-mail :public@sii.co.jp
<http://www.sii.com.tw>

Seiko Instruments Singapore Pte. Ltd.

2, Marsiling Lane, Woodlands New Town, Singapore 739144
Telephone :+65-6269-1370 Facsimile :+65-6269-9729
<http://www.sii.com.sg>

(Specification are subject to change without notice.)

Released in Oct. 2002



printed on 100% recycled paper and with soy ink.

No. CAQ0210EJ0095-10/C